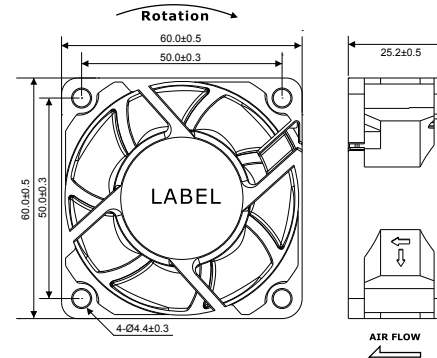
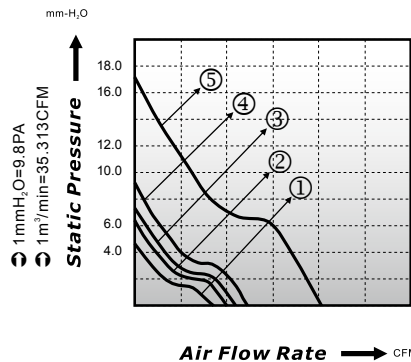


■ P-Q Curve (At Rated Voltage)

■ Dimensions Drawing

Unit: (mm)

■ Model C



Model No	Bearing (*)	Rated Voltage (VDC)	Rated Current (A)	Power Consumption (Watts)	Speed (rpm)	Air Flow (CFM)	Static Pressure (mmH ₂ O)	Noise (dBA)	Curve
ED06025-12L*	○ ● ⊖	12	0.11	1.32	3500	17.26	3.34	28.6	1
ED06025-12M*	○ ● ⊖	12	0.14	1.68	4000	20.26	4.57	30.8	2
ED06025-12H*	○ ● ⊖	12	0.20	2.40	4500	22.06	5.20	32.5	3
ED06025-12HH*	○ ● ⊖	12	0.23	2.76	5000	24.69	6.58	38.5	4
ED06025-12VH*	○ ● ⊖	12	0.40	4.80	8000	40.66	17.17	46.2	5
ED06025-24L*	○ ● ⊖	24	0.08	1.92	3500	17.26	3.34	28.6	1
ED06025-24M*	○ ● ⊖	24	0.09	2.16	4000	20.26	4.57	30.8	2
ED06025-24H*	○ ● ⊖	24	0.13	3.12	4500	22.06	5.20	32.5	3
ED06025-24HH*	○ ● ⊖	24	0.19	4.56	5000	24.69	6.58	38.5	4
ED06025-24VH*	○ ● ⊖	24	0.50	12.00	8000	40.66	17.17	46.2	5
ED06025-48L*	○ ● ⊖	48	0.06	2.88	3500	17.26	3.34	28.6	1
ED06025-48M*	○ ● ⊖	48	0.07	3.36	4000	20.26	4.57	30.8	2
ED06025-48H*	○ ● ⊖	48	0.08	3.84	4500	22.06	5.20	32.5	3
ED06025-48HH*	○ ● ⊖	48	0.10	4.80	5000	24.69	6.58	38.5	4
ED06025-48VH*	○ ● ⊖	48	0.30	14.40	8000	40.66	17.17	46.2	5

* Bearing Type: ○ Sleeve ● Two Ball ⊖ Hydro-Dynamic